



USED COOKING OIL CONTAINMENT CADDY

MODEL 47SS-NA

Frontline International Containment Caddy is a safe, easily wheeled, temporary, medium-volume tank positioned close to the fryer—fryer contents can be poured into the tank. The unit works like an oversized caddy system—ideal when directly pumping a fryer to the containment tank is impossible, costly or too complex. Ideal for large establishments with multiple fryers or smaller establishments with a low fryer volume.

CONSTRUCTION AND FEATURES

- Tank capacity 47 Gal/353 Lb (178 L /178 Kg) capacity
- Freestanding, 26 in. (660.5 mm) diameter x 30.5 in. (775 mm) height
- 100% heavy stainless steel construction
- Smooth rolling heavy-duty, non-mark casters
- Swivel front casters with brakes
- Screw-in-place safety cover
- Easy to access containment
- No electrical components
- One-year warranty on all parts and components
- Worldwide delivery and installation available

BENEFITS

- Minimal or no handling of hot waste shortening
- Insurance and Workers' Comp savings
- Less employee downtime
- Labor savings and greater employee safety
- Cleaner grounds and image
- Waste oil of higher value to collection companies
- Avoid pollution fines

Installation and Operating Specifications

Model	47SS-NA Tank
Installation Space Requirements	26.5 in. l x 19 in. w x 43.5 in. h (673 mm x 483 mm x 1105 mm)
Shortening Capacity	47 Gal/353 Lb (178 L /178 Kg)
Shipping Weight	200 lb (137 Kg)
Documentation	Installation guide, Operating guide
Warranty	One-year parts and labor



Also available with an optional high-capacity pump and suction hose to more quickly pump fryer contents into the tank.

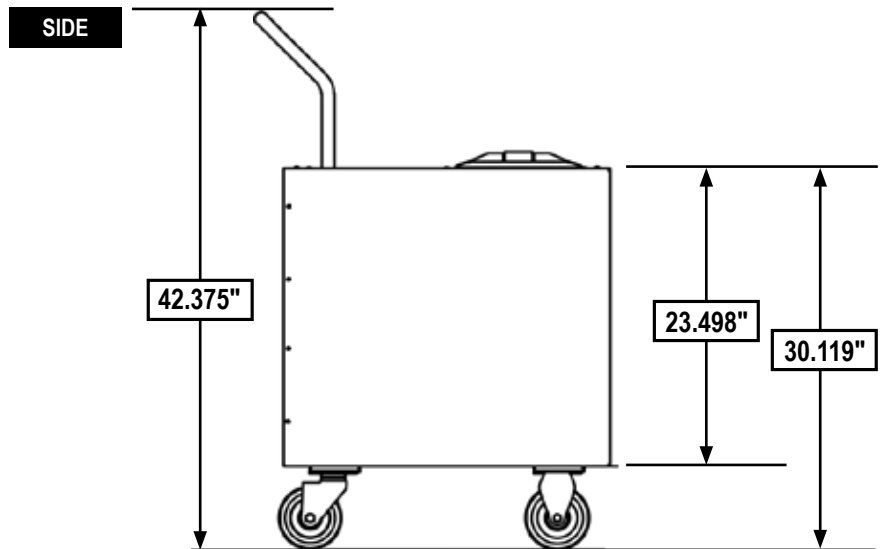
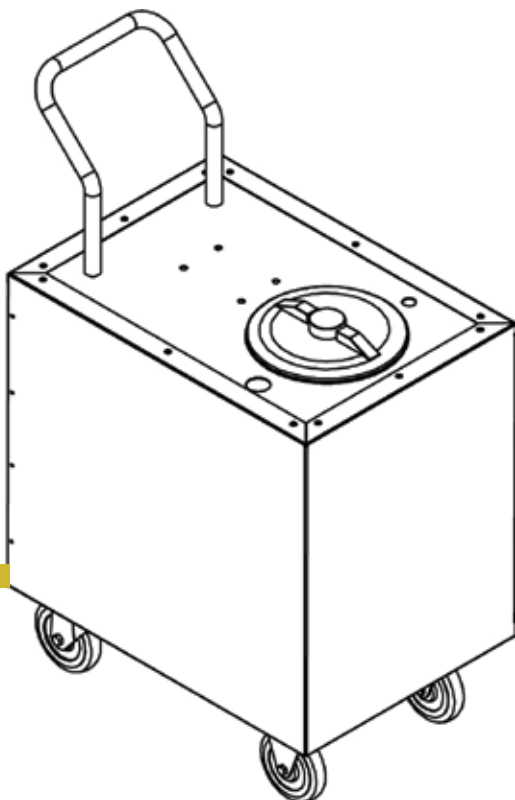
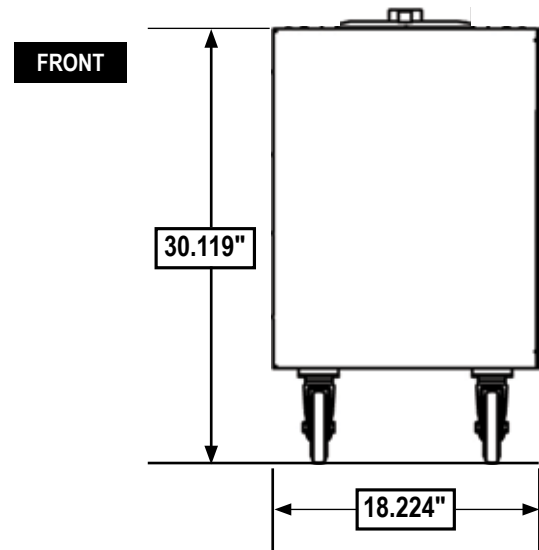
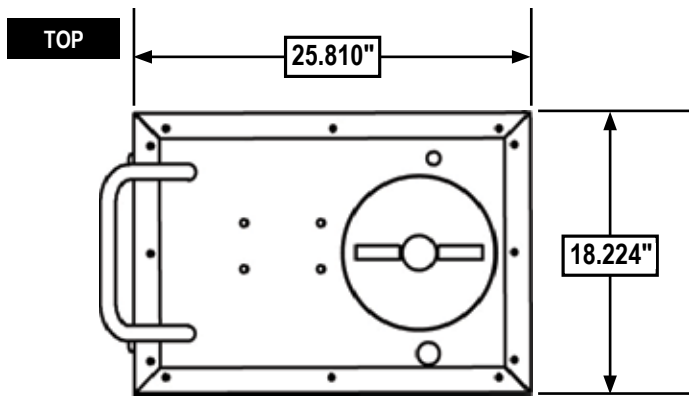
Frontline International, Inc.
187 Ascot Parkway • Cuyahoga Falls, Ohio 44223
330-861-1100 • 877-776-1100 • frontlineii.com
Fax: 330-861-1105 • info@frontlineii.com

FRONTLINE
international

© Frontline International, 10/28

USED COOKING OIL CONTAINMENT CADDY

MODEL 47SS-NA



	HEALTH HAZARD 4 Extreme - Highly toxic - may be fatal on short-term exposure. 3 Serious - Toxic - full protective suit and breathing apparatus should be worn. 2 Moderate - Breathing apparatus and face mask must be worn. 1 Slight - Breathing apparatus may be worn. 0 MINIMAL - No precautions necessary.
	FLAMMABILITY 4 Extremely flammable 3 Ignites at most temp 2 Ignites if heated 1 Ignites if preheated 0 WILL NOT BURN
REACTIVITY 4 May detonate 3 Shock/heat may detonate 2 Violent chemical change 1 Unstable if heated 0 STABLE	SPECIAL NOTES OXY = Oxidizer W = Use no water Acid = Acid ALK = Alkali COR = Corrosive 0 STABLE

WASTE COOKING OIL

CONSULT CORRESPONDING MSDS FOR FURTHER HAZARDOUS INFORMATION AND INSTRUCTIONS

IMPORTANT

- The appliance is not to be used by persons (including children) with reduced physical, sensory or mental capabilities, or lack of experience and knowledge, unless they have been given supervision or instruction.
- Children should be supervised to ensure that they do not play with the appliance.
- If the supply cord is damaged, it must be replaced by the manufacturer, its service agent or similarly qualified persons in order to avoid a hazard.
- Not intended to be operated by means of an external timer or a separate remote-control system.
- This appliance is intended to be used in commercial kitchen applications.

UL E229756
EVALUATED
NSF 4 & NSF 51



Frontline International, Inc.
 187 Ascot Parkway • Cuyahoga Falls, Ohio 44223
 330-861-1100 • 877-776-1100 • frontlineii.com
 Fax: 330-861-1105 • info@frontlineii.com

FRONTLINE
international

© Frontline International, 10/26